

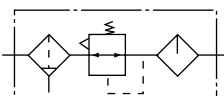
49

系列 Series 气源处理元件 Air Filter Combination

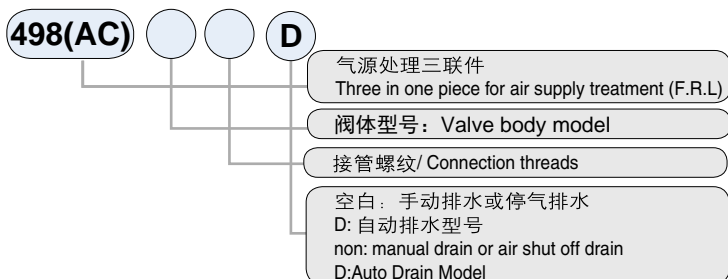
# 498(AC1000~5000) 系列空气过滤组合 (三联件) series Filter Regulator and Lubricator (F.R.L)



## 图形符号 Graphical symbols



## 型号注释 Order Code



## 技术参数 Specification

保证耐压力/Pressure Resistance	1.5MPa(15kgf/cm <sup>2</sup> )
最高使用压力/Max Working Pressure	1.0MPa(10kgf/cm <sup>2</sup> )
环境及流体温度/Ambient And Fluid Temperature	5~60℃
*过滤精度/*Filter Precision	25μm
建议用油/Recommended Oil Use	透平1号油/Turbine No.1 Oil ISOVG32
容器材料/Bowl Material	聚碳酸酯/Polycarbonate
防护罩/Protective Cover	AC1000~2000(无) / (Not Available)AC3000~5000(有) / (Available)
调压范围/Pressure Regulating Range	AC1000:0.05~0.7MPa(0.5~7kgf/cm <sup>2</sup> )AC2000~5000:0.05~0.85MPa(0.5~8.5kgf/cm <sup>2</sup> )
阀型/Valve Type	带溢流型/With Overflow

\*还有5、50 μm可供选择。/\*5, 50μm available in addition

型号/Model		组件/Assembly							托架/Bracket	压力表/Pressure Gauge
		过滤器/Filter	减压阀/Regulator	油雾器/Lubricator	注2) 额定流量/Note2)Rated Flow(L/min)	注3) 接管口径/Note3)Port Size(G)	压力表口径/Pressure Gauge Size	重量/Weight (Kg)		
手动放水型/manual drain	注1) 自动排水型/Auto drain	AF1000	AR1000	AL1000	90	M5	1/16	0.26	Y10L	G27-10-R1
(498)AC1000-M5	无/Null									
(498)AC2000-01	(498)AC2000-01D	AF2000	AR2000	AL2000	500	1/8	1/8	0.74	Y20L	G36-10-01
(498)AC2000-02	(498)AC2000-02D									
(498)AC2500-02	(498)AC2000-02D	AF2500	AR2500	AL3000	1500	1/4	1/8	1.04	Y30L	
(498)AC2500-03	(498)AC2500-03D									
(498)AC3000-02	(498)AC3000-02D	AF3000	AR3000	AL3000	2000	1/4	1/8	1.18	Y30L	
(498)AC3000-03	(498)AC3000-03D									
(498)AC4000-03	(498)AC4000-03D	AF4000	AR4000	AL4000	4000	3/8	1/4	2.14	Y40L	
(498)AC4000-04	(498)AC4000-04D									1/2
(498)AC4000-06	(498)AC4000-06D	AF4000-06	AR4000-06	AL4000-06	4500	3/4	1/4	2.47	Y50L	G46-10-02
(498)AC5000-06	(498)AC5000-06D	AF5000	AR5000	AL5000	5000	3/4	1/4	3.82	Y60L	
(498)AC5000-10	(498)AC5000-10D									

注1) AC2000有两种自动排水结构可选, 脉冲式自动排水器为常规选型, 还有杠杆式自动排水器可选, 订货时用“D2”表示, 如: AC2000-AC5000

自动排水器结构以杠杆式为常规选型, 还有浮球式自动排水器可选, 详细说明请参阅自动排水器介绍。

注2) 供应商压力为0.7MPa (7.1kgf/cm<sup>2</sup>)的情况下。

注3) 接管口径另有Rc、NPT螺纹可供选择。

Note1) There are 2 types auto drain for AC2000, pulsed type and lever type. "D" means normal auto drain, pulsed type; "D2" means lever type auto drain. The normal auto drain for AC2500-AC5000 is lever type, but the float type auto drain is available for choose. Please check the details from AUTO DRAIN is page 55.

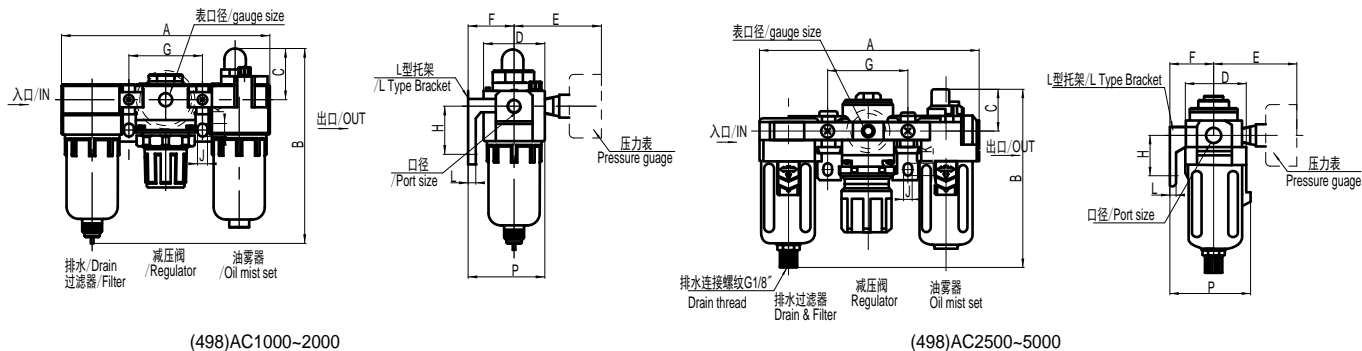
Note2) On condition that the supply pressure is 0.7MPa(7.1kgf/cm<sup>2</sup>) and set pressure is 0.5MPa(5.1Kgf/cm<sup>2</sup>).

Note3) Rc, NPT thread are available.

# 49 Series 气源处理元件 Air Filter Combination

## 498(AC1000~5000) 系列空气过滤组合 (三联件) series F.R.L

### 外形尺寸 Outlook & Dimension



(498)AC1000-2000

(498)AC2500-5000

型号/Model	口径/Port Size(G)	A	B	C	D	E	F	G	H	J	K	L	P	带自动排水器B Auto drain
(498)AC1000	M5	91	91	25.5	25	26	25	33	20	4.5	7.5	5	38.5	无/NULL
(498)AC2000	1/8-1/4	140	122	38	40	57	30	50	24	5.5	8.5	5	50	145 *160
(498)AC2500	1/4-3/8	181	158	38	53	61	41	64	35	7	11	7	70.5	172
(498)AC3000	1/4-3/8	181	158	38	53	61	41	64	35	7	11	7	70.5	172
(498)AC4000	3/8-1/2	238	191	41	70	66	50	84	40	9	13	7	88	196
(498)AC4000-06	3/4	253	191	40.5	70	70	50	89	40	9	13	7	88	196
(498)AC5000	3/4-1	300	268	48	90	90	70	105	50	12	16	10.5	115	273

### 对应表 Thread table

498系列/series	接管口径/Thread									
	M5	G1/8	G1/4	G3/8	G1/2	G3/4	G1			
(498)AC1000-M5	■									
(498)AC2000-01		■								
(498)AC2000-02			■							
(498)AC3000-02				■						
(498)AC3000-03					■					
(498)AC4000-03						■				
(498)AC4000-04							■			
(498)AC4000-06								■		
(498)AC5000-06									■	
(498)AC5000-10										■